

# Sigtronics Y-ADP-IC3 Adapter Installation Instructions



## Description

The Sigtronics Y-ADP-IC3 "Y" adapter is designed to simplify the process of connecting a Sigtronics intercom or MRIM-2 system to **ICOM** radios. See the Sigtronics web site for specific models.

## Installation

1. To select an appropriate mounting location for the adapter, first connect it up to the radio. To do this, unscrew and remove the two screws on the top of the Y-ADP-IC3 adapter. Leave the lid in place on the adapter for now.
2. Unplug the hand mic from the radio, you may also have to unhook the cable strain relief, and plug it into jack on the Y-ADP-IC3 adapter module.
3. Plug the cord connector of the Sigtronics Y-ADP-IC3 adapter into the hand mic connector on radio.
4. Now you are ready to select a mounting location for the adapter. Select a spot out of the way so that the adapter and its cables will not interfere with the normal operation of the vehicle. **Note:** One more cable will have to come out of the adapter for the wires that go to Sigtronics intercom or MRIM-2 unit. This cable can come out of any side of the adapter except the top. For convenience, the bottom of the adapter already has a hole for this. Make sure that the hand mic has enough cable length to be used properly.
5. Hold the adapter on the intended mounting place, remove the adapter lid, and carefully slide the PCB out of its slot. Mark with a pen or pencil through the two mounting holes and the cable hole (if desired) on the bottom of the adapter. **Note:** As an option to using the sheet metal screws, the included double sided foam tape may be used to mount the adapter. If the cable to the Sigtronics intercom or MRIM-2 unit needs to come out the side of the adapter mark that hole also. **Note:** Cable holes on the side of the adapter **should be as close to the bottom as possible** to clear the adapter lid. Drill all the holes and mount with the supplied #10 sheet metal screws.
6. Route the cable from the intercom or MRIM-2 unit through the hole on the adapter. **Note:** Use the wire supplied with the Sigtronics system for connection to the Y-ADP-IC3 adapter terminal block. If unavailable use wire that has 22 or 24 gauge stranded conductors. Cut to length but leave a few inches for access.
7. Strip the insulation from the individual conductors about 1/2 inch. Twist the conductors to eliminate any loose strands and insert the wires into the terminal block holes. See drawing on back for color code. To insert the wire, use a finger nail or small screw driver, press and hold the selected orange tab towards the circuit board and insert the wire into the matching hole. Make sure the wire is inserted enough into the hole that insulation touches the hole entry (no exposed bare wire). Release the tab. Carefully inspect and fix any loose wire strands that did not make it into the hole. Repeat for all wires. Reinstall the PCB in the slot.
8. Install the provided tie wrap securely on the intercom or MRIM-2 cable so that the wires won't pull out of the adapter box.
9. Replace the adapter box lid making sure the wires do not get pinched around the edges. Reinstall the lid screws. Put the hand mic cable strain relief hook into the eyelet on the corner of the adapter if applicable.

**NOTES:** Hook up the speaker wires (2 violet wires) from the Sigtronics intercom or MRIM-2 unit to the radio speaker leads. The back of the ICOM unit has a 3.5mm 3 conductor speaker jack. Connect one Violet wire to the Tip (Speaker Hi) and the other Violet wire to the Barrel (Speaker Low). No connection at the Ring. Adjust the Sigtronics intercom or MRIM-2 units transmit and receive levels per their appropriate installation instructions. Your existing radio hand mic and speaker will still function as normal.

**WARRANTY:** One year parts and labor.



**WARNING:** This product can expose you to chemicals including Polyvinyl Chloride, which is known to the State of California to cause cancer, and Lead, which is known to the State of California to cause birth defects or other reproductive harm. For more information go to [www.P65Warnings.ca.gov](http://www.P65Warnings.ca.gov).

### Standard Equipment Included

| Part Description    | Part Number | Quantity |
|---------------------|-------------|----------|
| Box Cover Screws    | 100429      | 2        |
| Box Mounting Screws | 100452      | 2        |
| Foam, Double Sided  | 100720      | 1        |
| Tie Wrap            | 100450      | 1        |
| Wire Grommet        | 100049      | 1        |

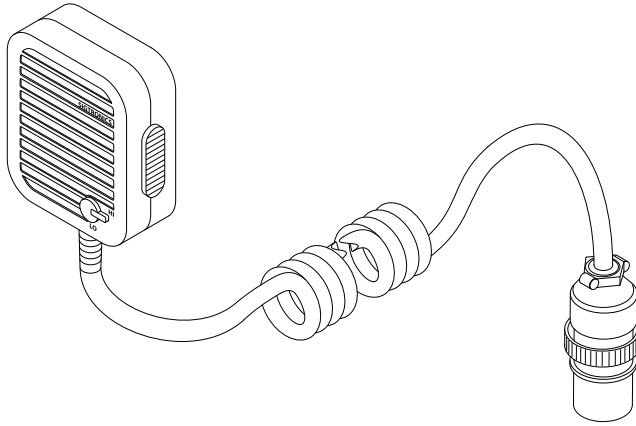


**Specialists in "SOUND" Management**

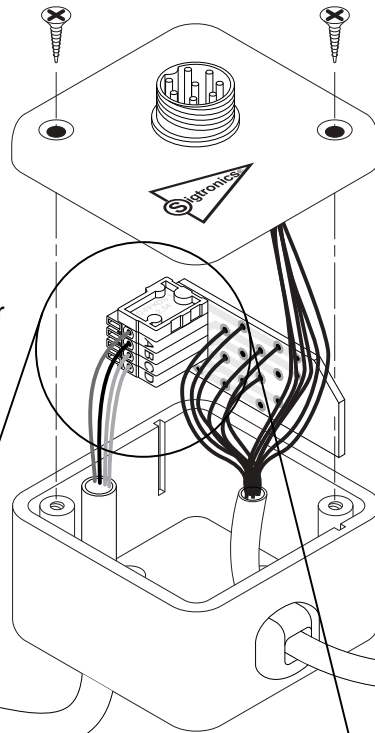
178 East Arrow Highway, San Dimas, CA 91773 ( 909 ) 305-9399

# Sigtronics Y-ADP-IC3 "Y" Adapter

Hand Mic



Plug your hand mic into the Y-ADP-IC3 adapter.



Plug this connector into your mobile radio.

Y-ADP-IC3 Adapter Terminal Block

- White: PTT Low
- White: PTT High
- Black: Mic Low
- Brown: Mic High

4 ft. radio interface cable.  
To UltraSound, EAI or MRIM-2.  
(Supplied with the Sigtronics intercom)

Strip the insulation from each conductor about 1/2 inch.

- Brown:** Mic High. To terminal block **A**
- Either **White:** PTT High. To terminal block **B**
- Either **White:** PTT Low. To terminal block **C**
- Black:** Mic Low. To terminal block **D**