

Sigtronics Special 4 Conductor Jack Wiring Instructions

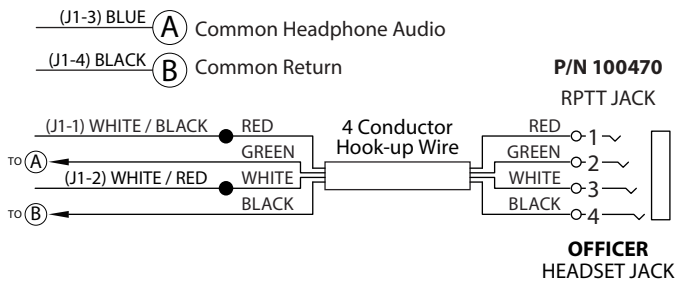
Model: SE-?? RPTT HEADSETS

To install Sigtronics headsets with Radio Push-To-Transmit buttons on them (models SE-??RPTT) requires a special four conductor jack. The jack terminals are marked 1 through 4. The markings are stamped right on the terminals themselves where the wires are to be soldered. Use the following tables to wire these jacks into a Sigtronics UltraSound or EAI intercom system.

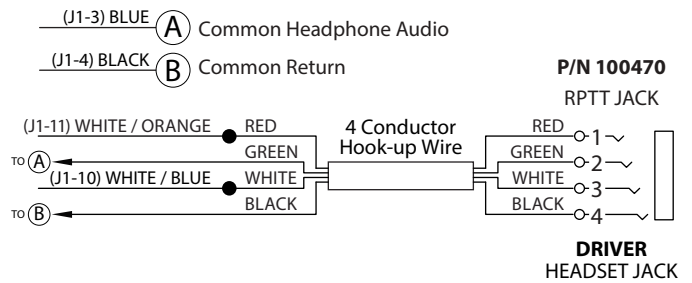
Officer Jack Connected to UltraSound / EAI Wire		4 Conductor Jack P/N 100470
Function	Wire Color	Terminals
Mic	White / Black	1
Headphone	Blue	2
Radio PTT	White / Red	3
Common	Black	4

Driver & Pump Panel Jacks Connected to UltraSound / EAI Wire		4 Conductor Jack P/N 100470
Function	Wire Color	Terminals
Mic	White / Orange	1
Headphone	Blue	2
Radio PTT	White / Blue	3
Common	Black	4

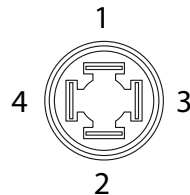
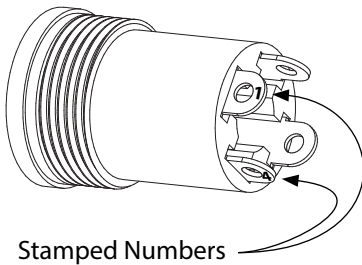
Officer Special 4 Conductor RPTT Headset Wiring P/N 100470 Jack



Driver Special 4 Conductor RPTT Headset Wiring P/N 100470 Jack

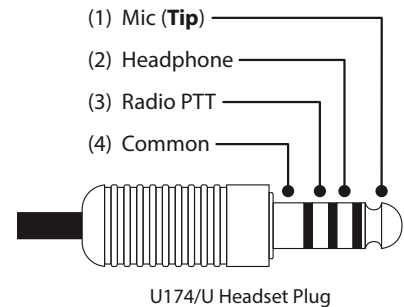


Four Conductor Jack P/N 100470

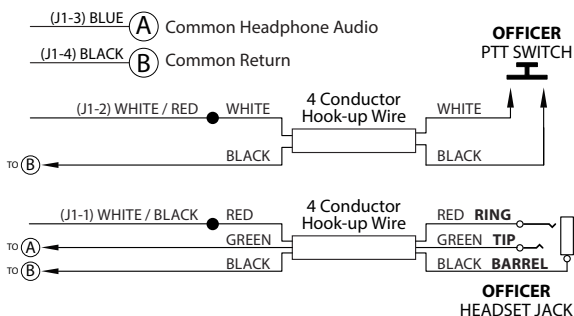


Terminal Orientation
Back of four conductor jack

Headset RPTT Plug



Standard Officer headset and PTT switch wiring using the P/N 100061 Jack for reference.



Sigtronics Corporation
178 East Arrow Highway
San Dimas, California
Phone: (909) 305-9399
E-mail: info@sigtronics.com
Web Site: www.sigtronics.com

