

Sigtronics Universal Y Adapter 8 Pin — 900118



Sigtronics Universal Y Adapter 8 Pin Installation Instructions

The Sigtronics Universal Y Adapter 8 Pin is designed to simplify the process of connecting a Sigtronics Emergency Intercom System or a MRIM-2 unit to your mobile radio.

Installation

1. To select an appropriate mounting location for the adapter, first connect it up to the radio. To do this, unscrew and remove the two screws on the top of the Universal Y adapter. Leave the lid in place on the adapter for now.
2. Unplug the radio hand mic from the radio mic jack and plug it into either one of the telephone type jacks on the Universal Y Adapter module.
3. Plug one end of the short cable that came with the adapter into the other telephone type jack on the Universal Y adapter.
4. Plug the other end of the short cable into the hand mic connector on radio.
5. Now you are ready to select a mounting location for the adapter. Select a spot out of the way so that the adapter and its cables will not interfere with the normal operation of the vehicle. Note one more cable will have to come out of the adapter for the wires that go to Sigtronics intercom or MRIM-2 unit. This cable can come out of any side of the adapter except the top. For convenience, the bottom of the adapter already has a hole for this. Make sure that the hand mic has enough cable length to be used properly. If necessary swap the hand mic and the short cable positions on the adapter for best cable routing.
6. Hold the adapter on the intended mounting place and remove the adapter lid. Mark with a pen or pencil through the two mounting holes and the cable hole (if desired) on the bottom of the adapter. If the cable to the Sigtronics intercom or MRIM-2 unit needs to come out the side of the adapter mark that hole also. **Note** cable holes on the side of the adapter **should be as close to the bottom**

as possible to clear the adapters circuit components. Drill all the holes and mount with the supplied #10 sheet metal screws. **Note:** As an option to using the sheet metal screws, the included double sided foam tape may be used to mount the adapter.

7. Route the cable from the intercom or MRIM-2 unit through the hole on the adapter. **Note:** Use the wire supplied with the Sigtronics system for connection to the Universal Y terminal block. If unavailable use wire that has 22 or 24 gauge stranded conductors. Cut to length but leave a few inches for access.
8. Strip the insulation from the individual conductors about 1/2 inch. Twist the conductors to eliminate any loose strands. Using the appropriate wiring pinout table insert the wires into the terminal block holes. **Note:** Some configurations require that 2 wires be inserted into one hole. Two 22 or 24 gauge stranded wires carefully twisted together will fit into one hole correctly. To insert the wire, using a finger nail or small screw driver, press and hold the selected orange tab down towards the circuit board and insert the wire into the matching hole. Make sure the wire is inserted enough into the hole that insulation touches the hole entry (no exposed bare wire). Release the tab. Carefully inspect and fix any loose wire strands that did not make it into the hole. Repeat for all wires.
9. Install the provided tie wrap securely on the intercom or MRIM-2 cable so that the wires won't pull out of the adapter box.
10. Replace the adapter box lid making sure the wires do not get pinched around the edges. Reinstall the lid screws.

NOTES: Don't forget to also hook up the speaker wires (2 violet wires) from the Sigtronics intercom or MRIM-2 unit to the radio speaker leads. Adjust the Sigtronics intercom or MRIM-2 units transmit and receive levels per their appropriate installation instructions. Your existing radio hand mic and speaker will still function as normal.

WARRANTY: One year parts and labor.

Standard Equipment Included		
Part Description	Part Number	Quantity
Adapter to Radio Cable — 8 Pin	100718	1
Box Cover Screws	100429	2
Box Mounting Screws	100452	2
Foam, Double Sided	100720	1
Tie Wrap	100450	1
Wire Grommet	100049	1

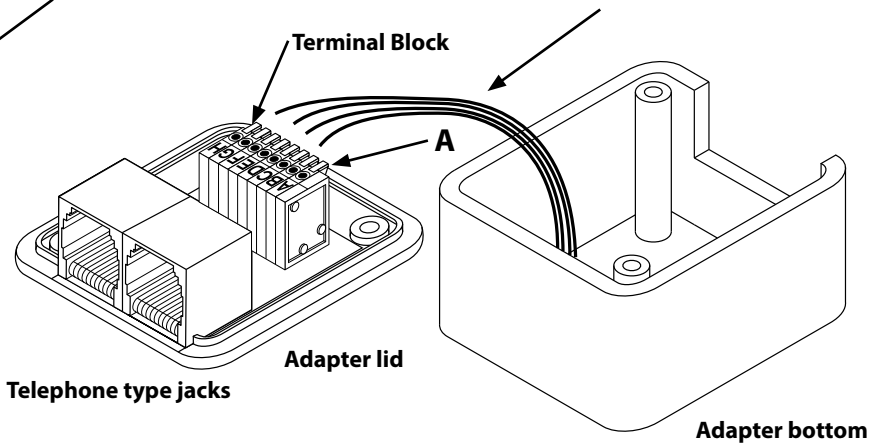
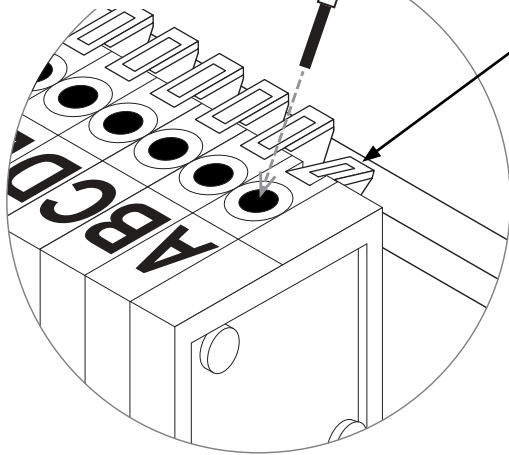


Specialists in "SOUND" Management
178 East Arrow Highway, San Dimas, CA 91773 (909) 305-9399

Strip the insulation from each conductor about 1/2 inch.

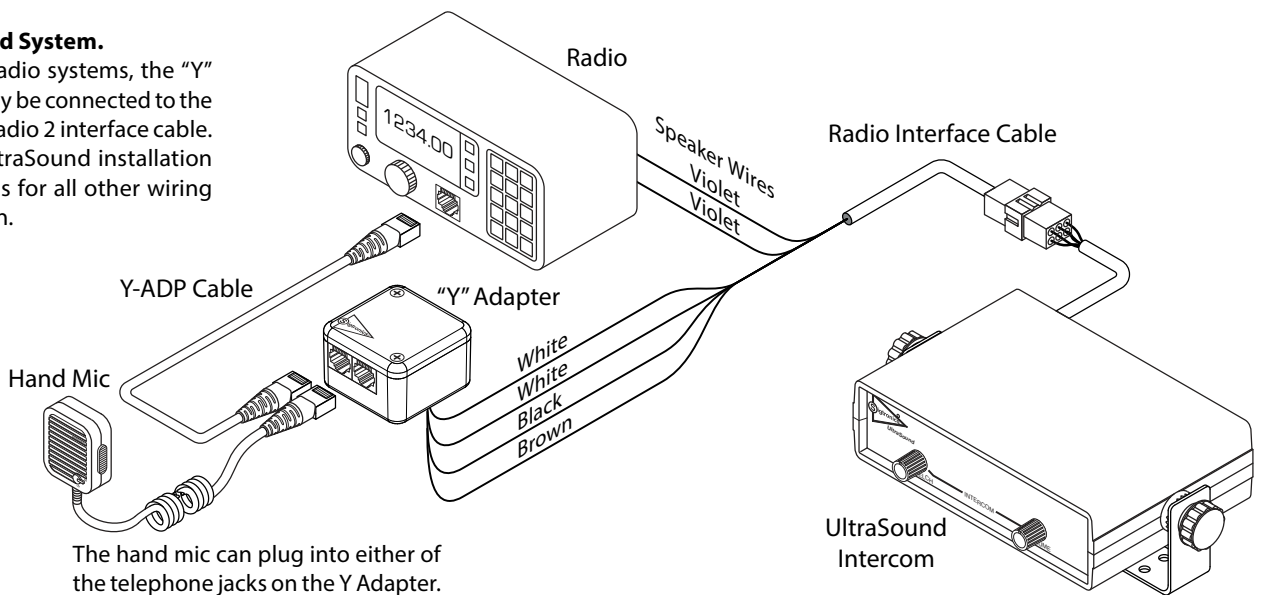
Press the orange tab and insert the wire into the matching hole.

Cable from UltraSound Intercom or MRIM-2



UltraSound System.

For Dual Radio systems, the "Y" adapter may be connected to the radio 1 or radio 2 interface cable. See the UltraSound installation instructions for all other wiring information.

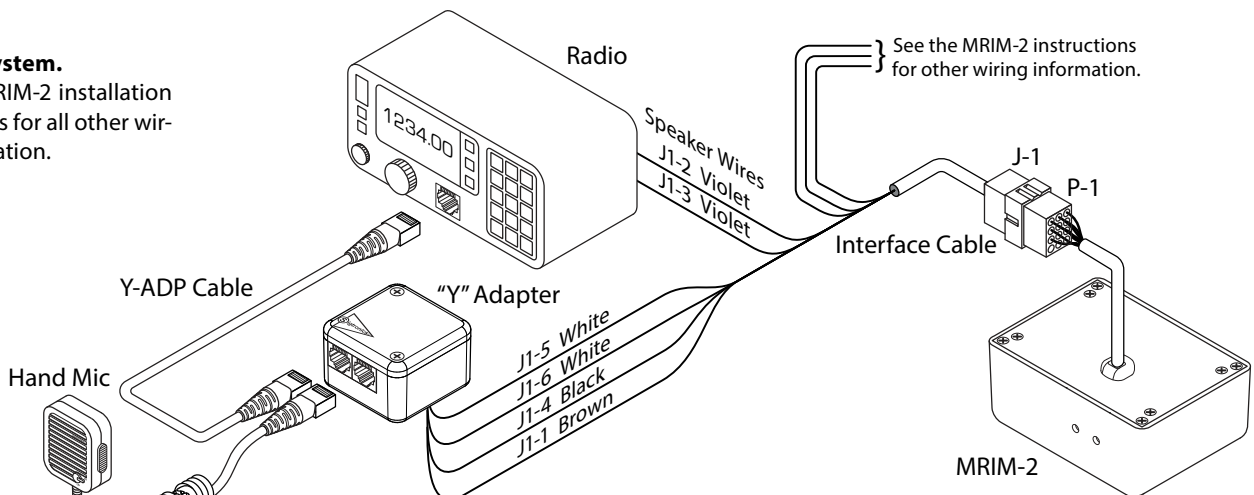


The hand mic can plug into either of the telephone jacks on the Y Adapter.

MRIM-2 System.

See the MRIM-2 installation instructions for all other wiring information.

See the MRIM-2 instructions for other wiring information.



The hand mic can plug into either of the telephone jacks on the Y Adapter.

Sigtronics Universal Mobile Radio Microphone Interface "Y" Adapter 8 Pin

EF Johnson		
Falcon 7610		Falcon 7640
Function	8 Pin	Sigtronics Wire Color
PTT HI	D	White
MIC LO	E	Black
MIC HI	F	Brown
PTT LO	G	White

Flightline (EDMO)		
FL-M1000A		FL-M1000E
Function	8 Pin	Sigtronics Wire Color
MIC HI	A	Brown
MIC LO	B	Black
PTT HI	C	White
PTT LO	F	White

EF Johnson			
8600 Series	984x Series	988x Series	989x Series
Function	8 Pin	Sigtronics Wire Color	
MIC LO	B	White	
PTT LO	B	Black	
MIC HI	C	Brown	
PTT HI	E	White	

HYT America			
TM-600	TM-610	TM-628H	TM-800
Function	8 Pin	Sigtronics Wire Color	
PTT LO	C	Brown	
PTT HI	D	Black	
SPKR HI	E	White	
MIC HI	F	White	

EF Johnson			
TK-5730	VM-5730	VM7630H	VM7830
TK-5830	VM-5830	VM7730	VM7930
TK-5930	VM-5930	VM7730H	
Function	8 Pin	Sigtronics Wire Color	
MIC HI	C	Brown	
MIC LO	D	Black	
PTT HI	E	White	
PTT LO	F	White	

ICOM		
IC-V220		IC-U220
Function	8 Pin	Sigtronics Wire Color
MIC HI	A	Brown
MIC LO	B	Black
PTT LO	D	White
PTT HI	E	White

ICOM			
IC-A110	IC-F520	IC-F2821	IC-F9511HT
IC-A120	IC-F521	IC-F2821D	IC-F9511S
IC-F110	IC-F620	IC-F5011	IC-F9511T
IC-F111	IC-F621	IC-F5021	IC-V8000
IC-F121	IC-F1020	IC-F5022	IC-207H
IC-F121S	IC-F1721	IC-F5061	IC-706
IC-F210	IC-F1721D	IC-F5121D	IC-2000
IC-F211	IC-F1821	IC-F5220D	IC-2000H
IC-F221	IC-F1821D	IC-F6011	IC-2200H
IC-F221S	IC-F2020	IC-F6021	IC-2300H
IC-F320	IC-F2721	IC-F6022	IC-2350H
IC-F320S	IC-F2721D	IC-F6061	IC-2820H
IC-F420		IC-F6121D	IC-7000
		IC-F6220D	
Function	8 Pin	Sigtronics Wire Color	
PTT HI	D	White	
MIC LO	E	Black	
MIC HI	F	Brown	
PTT LO	G	White	

Sigtronics Universal Mobile Radio Microphone Interface "Y" Adapter 8 Pin

Kenwood			
NX-700	TK-750	TK-8102H	VM5730
NX-700H	TK-760G	TK-8150	VM5830
NX-720H	TK-760HG	TK-8160	VM5930
NX-720HG	TK-762G	TK-8180	VM7630H
NX-800	TK-762HG	TK-8302	VM7730
NX-800H	TK-780	TK-8360HU	VM7730H
NX-820H	TK-850	TKR-750	VM7830
NX-820HG	TK-860G	TKR-850	VM7930
NX-900	TK-860HG	TM-G707A	
NX-901	TK-862G	TM-G707E	
NX-920	TK-862HG	TM-V7A	
NX-920G	TK-863G	TM-V7E	
NX-1700H	TK-880	TM-261	
NX-1800H	TK-885	TM-271	
NX-3720	TK-980	TM-461	
NX-3720G	TK-981	TM-471	
NX-3720H	TK-5720	TM-642A	
NX-3720HG	TK-5730	TM-742A	
NX-3820	TK-5820	TM-742E	
NX-3820G	TK-5830	TM-942A	
NX-3820H	TK-5930		
NX-3820HG	TK-6110	TK-7100	
NX-5700	TK-7102H	TK8100	
NX-5800	TK-7150	(International	
NX-5900	TK-7160	Models, not US)	
NX-5930	TK-7180		
	TK-7302		
	TK-7360HV		
Function	8 Pin	Sigtronics Wire Color	
MIC HI	C	Brown	
MIC LO	D	Black	
PTT HI	E	White	
PTT LO	F	White	

Klein Electronics			
Blackbox-M-U	Blackbox-M-V	Blackbox-M-V-S	
Function	8 Pin	Sigtronics Wire Color	
MIC HI	F	Brown	
MIC LO	E	Black	
PTT HI	G	White	
PTT LO	H	White	

Maxon			
SM-2102	SM-2541	SM-5102	SM-6150
SM-2402	M-2544	SM-5402	SM-6450
Function	8 Pin	Sigtronics Wire Color	
MIC LO	B	Black	
PTT LO	B	White	
MIC HI	E	Brown	
PTT HI	F	White	

Midland		
Syntech Bantam Series		Titan Series
Function	8 Pin	Sigtronics Wire Color
MIC LO	F	Black
PTT LO	F	White
PTT HI	G	White
MIC HI	H	Brown

Midland		
ML Series (Legacy)		MO Series (Olympian)
Function	8 Pin	Sigtronics Wire Color
MIC LO	B	Black
PTT LO	B	White
MIC HI	E	Brown
PTT HI	F	White

Midland		
MXT400		
Function	8 Pin	Sigtronics Wire Color
MIC HI	F	Brown
MIC LO	E	Black
PTT HI	G	White
PTT LO	H	White

Midland			
STM-1050B	STM-1055B	STM-4040A	STM-4045A
Function	8 Pin	Sigtronics Wire Color	
MIC LO	A	Black	
PTT LO	A	White	
PTT HI	G	White	
MIC HI	H	Brown	

Sigtronics Universal Mobile Radio Microphone Interface "Y" Adapter 8 Pin

Motorola		
CM 200	GTX	Maxtrac 800
CM 300	HT-100 MVA	MC900
GM 140	Convertacom	MC2100
GM 160	LCS2000	MCS-2000
GM 300	M10	MCX600
GM 340	M100	MCX1200
GM 350	M120	MCX2000
GM 360	M130	MTS-2000 MTVA
GM 600	M208	Convertacom
GM 900	M214	PM400
GM 950	M216 Radius Series	SM50
GM 1100	Maxtrac 100	SM120
GM 1200	Maxtrac 300	XTVA for XTS Portables
GM 2000		(Convertacom type box)
Function	8 Pin	Sigtronics Wire Color
PTT HI	C	White
MIC HI	D	Brown
MIC LO	E	Black
PTT LO	E	White

Motorola		
MCX1000		
Function	8 Pin	Sigtronics Wire Color
PTT LO	B	White
MIC HI	C	Brown
PTT HI	E	White
MIC LO	F	Black

Motorola		
MICOM-3R		MICOM-3T
Function	8 Pin	Sigtronics Wire Color
MIC LO	D	Black
PTT LO	D	White
MIC HI	E	Brown
PTT HI	F	White

RELM			
RMU25	RMU45	RMV25	RMV50
Function	8 Pin	Sigtronics Wire Color	
MIC LO	D	Black	
PTT LO	D	White	
MIC HI	E	Brown	
PTT HI	F	White	

RELM			
RMU800A	RMU8145	RMV800A	RMV8145
RMU8125	RMU8150	RMV8125	RMV8150
Function	8 Pin	Sigtronics Wire Color	
MIC HI	C	Brown	
MIC LO	D	Black	
PTT HI	E	White	
PTT LO	F	White	

SEA		
Sideband	ESP504	ESP520
Function	8 Pin	Sigtronics Wire Color
PTT HI	C	White
MIC HI	F	Brown
MIC LO	G	Black
PTT LO	G	White

Sigtronics Universal Mobile Radio Microphone Interface "Y" Adapter 8 Pin

Tait			
TM8110	TM9435	TM9390	TM9355
TM8115	TM8250	TM9455	TM9395
TM8235	TM8254	TM8260	TM9480
TM9335	TM8255	TM9135	
TM9357	TM9337	TM9155	
Function	8 Pin	Sigtronics Wire Color	
PTT HI	D	White	
MIC HI	E	Brown	
MIC LO	F	Black	
PTT LO	F	White	

Tekk		
MT-800		
Function	8 Pin	Sigtronics Wire Color
MIC LO	B	Black
PTT LO	B	White
MIC HI	E	Brown
PTT HI	F	White

Standard (Vertex / Yaesu)		
GX4800		GX5800
Function	8 Pin	Sigtronics Wire Color
MIC LO	C	Black
PTT LO	C	White
MIC HI	D	Brown
PTT HI	E	White

Vertex Standard			
VX-2000	VX-3000	VX-4204	VX-7100
VX-2100	VX-3200	VX-4207	VX-7200
VX-2200	VX-4104	VX-4500	
VX-2500	VX-4107	VX-4600	
Function	8 Pin	Sigtronics Wire Color	
MIC LO	D	Black	
MIC HI	E	Brown	
PTT HI	F	White	
PTT LO	D	White	

Yaesu		
FT-2500M		
Function	8 Pin	Sigtronics Wire Color
PTT HI	F	White
MIC HI	E	Brown
PTT LO	D	White
MIC LO	D	Black

Yaesu			
FTL-1011	FTL-2011	FTL-7011	FTL-8011
Function	8 Pin	Sigtronics Wire Color	
MIC LO	D	Black	
MIC HI	E	Brown	
PTT HI	F	White	
PTT LO	D	White	

Specifications subject to change without notice.

Sigtronics Corporation
 178 East Arrow Highway
 San Dimas, CA 91773
 Phone: (909) 305-9399
 E-mail: info@sigtronics.com
 Web Site: www.sigtronics.com

