

# Sigtronics Universal Y Adapter 6 Pin — 900116



## Sigtronics Universal Y Adapter 6 Pin Installation Instructions

The Sigtronics Universal Y Adapter 6 Pin is designed to simplify the process of connecting a Sigtronics Emergency Intercom System or a MRIM-2 unit to your mobile radio.

### Installation

1. To select an appropriate mounting location for the adapter, first connect it up to the radio. To do this, unscrew and remove the two screws on the top of the Universal Y adapter. Leave the lid in place on the adapter for now.
2. Unplug the radio hand mic from the radio mic jack and plug it into either one of the telephone type jacks on the Universal Y Adapter module.
3. Plug one end of the short cable that came with the adapter into the other telephone type jack on the Universal Y adapter.
4. Plug the other end of the short cable into the hand mic connector on radio.
5. Now you are ready to select a mounting location for the adapter. Select a spot out of the way so that the adapter and its cables will not interfere with the normal operation of the vehicle. Note one more cable will have to come out of the adapter for the wires that go to Sigtronics intercom or MRIM-2 unit. This cable can come out of any side of the adapter except the top. For convenience, the bottom of the adapter already has a hole for this. Make sure that the hand mic has enough cable length to be used properly. If necessary swap the hand mic and the short cable positions on the adapter for best cable routing.
6. Hold the adapter on the intended mounting place and remove the adapter lid. Mark with a pen or pencil through the two mounting holes and the cable hole (if desired) on the bottom of the adapter. If the cable to the Sigtronics intercom or MRIM-2 unit needs to come out the side of the adapter mark that hole also. **Note** cable holes on the side of the adapter **should be as close to the bottom**

**as possible** to clear the adapters circuit components. Drill all the holes and mount with the supplied #10 sheet metal screws. **Note:** As an option to using the sheet metal screws, the included double sided foam tape may be used to mount the adapter.

7. Route the cable from the intercom or MRIM-2 unit through the hole on the adapter. **Note:** Use the wire supplied with the Sigtronics system for connection to the Universal Y terminal block. If unavailable use wire that has 22 or 24 gauge stranded conductors. Cut to length but leave a few inches for access.
8. Strip the insulation from the individual conductors about 1/2 inch. Twist the conductors to eliminate any loose strands. Using the appropriate wiring pinout table insert the wires into the terminal block holes. **Note:** Some configurations require that 2 wires be inserted into one hole. Two 22 or 24 gauge stranded wires carefully twisted together will fit into one hole correctly. To insert the wire, using a finger nail or small screw driver, press and hold the selected orange tab down towards the circuit board and insert the wire into the matching hole. Make sure the wire is inserted enough into the hole that insulation touches the hole entry (no exposed bare wire). Release the tab. Carefully inspect and fix any loose wire strands that did not make it into the hole. Repeat for all wires.
9. Install the provided tie wrap securely on the intercom or MRIM-2 cable so that the wires won't pull out of the adapter box.
10. Replace the adapter box lid making sure the wires do not get pinched around the edges. Reinstall the lid screws.

**NOTES:** Don't forget to also hook up the speaker wires (2 violet wires) from the Sigtronics intercom or MRIM-2 unit to the radio speaker leads. Adjust the Sigtronics intercom or MRIM-2 units transmit and receive levels per their appropriate installation instructions. Your existing radio hand mic and speaker will still function as normal.

**WARRANTY:** One year parts and labor.

Standard Equipment Included		
Part Description	Part Number	Quantity
Adapter to Radio Cable — 6 Pin	100717	1
Box Cover Screws	100429	2
Box Mounting Screws	100452	2
Foam, Double Sided	100720	1
Tie Wrap	100450	1
Wire Grommet	100049	1

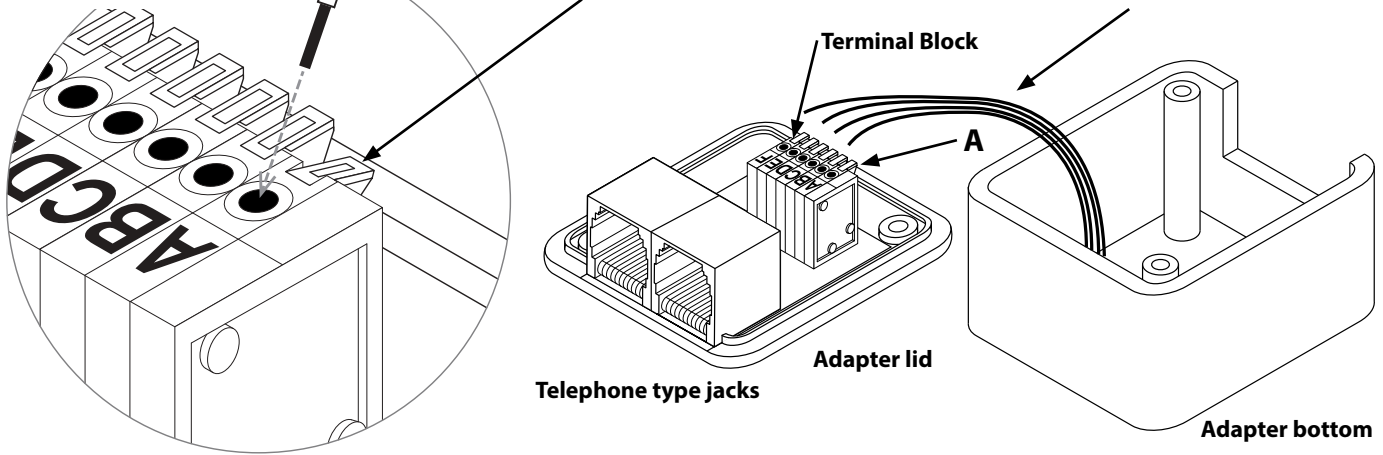


**Specialists in "SOUND" Management**  
178 East Arrow Highway, San Dimas, CA 91773 ( 909 ) 305-9399

Strip the insulation from each conductor about 1/2 inch.

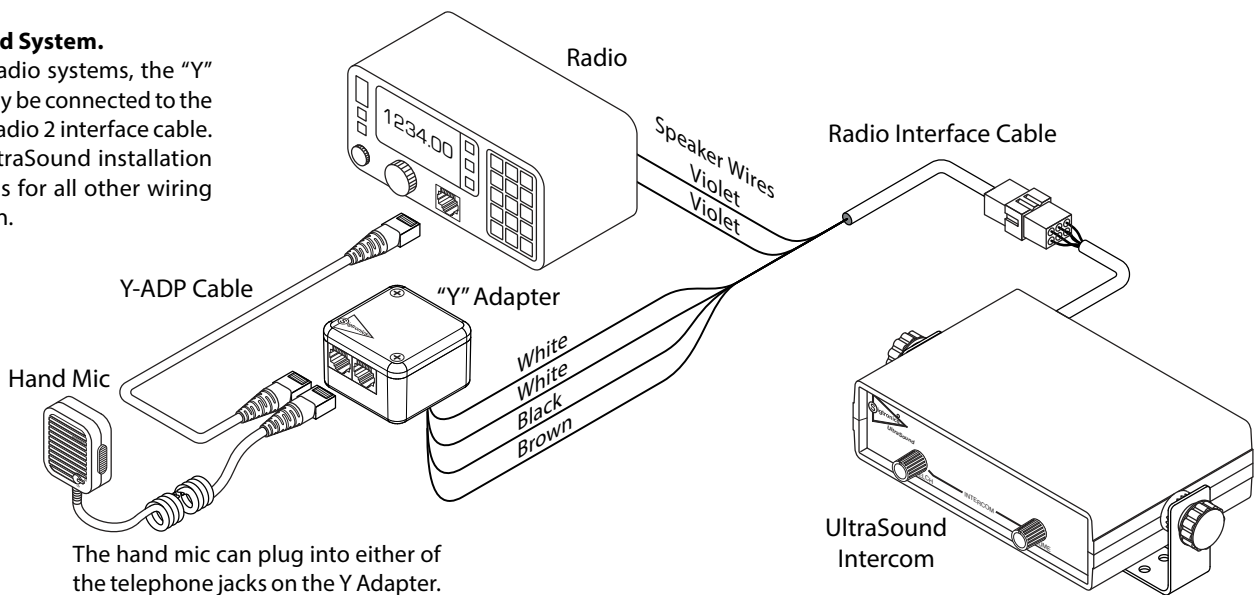
Press the orange tab and insert the wire into the matching hole.

Cable from UltraSound Intercom or MRIM-2



**UltraSound System.**

For Dual Radio systems, the "Y" adapter may be connected to the radio 1 or radio 2 interface cable. See the UltraSound installation instructions for all other wiring information.

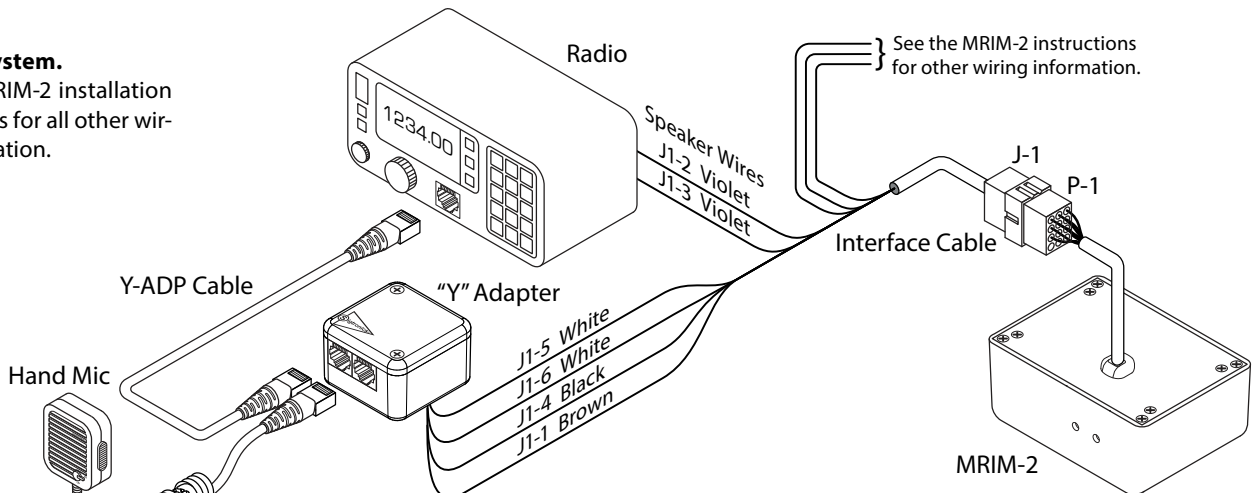


The hand mic can plug into either of the telephone jacks on the Y Adapter.

**MRIM-2 System.**

See the MRIM-2 installation instructions for all other wiring information.

See the MRIM-2 instructions for other wiring information.



The hand mic can plug into either of the telephone jacks on the Y Adapter.

## Sigtronics Universal Mobile Radio Microphone Interface "Y" Adapter 6 Pin

Bendix King (Relm BK Radio)			
DMH DMHX	EMH EMV	ENB GMH	KFM LMH
Function	6 Pin	Sigtronics Wire Color	
PTT HI	<b>B</b>	<b>White</b>	
MIC LO	<b>C</b>	<b>Black</b>	
PTT LO	<b>C</b>	<b>White</b>	
MIC HI	<b>D</b>	<b>Brown</b>	

Ericsson / GE			
Monogram MGM148 Monogram MGM160		Monogram MGM450	
Function	6 Pin	Sigtronics Wire Color	
MIC LO	<b>A</b>	<b>Black</b>	
PTT LO	<b>B</b>	<b>White</b>	
MIC HI	<b>D</b>	<b>Brown</b>	
PTT HI	<b>E</b>	<b>White</b>	

EF Johnson			
Challenger 7100 Series			
Function	6 Pin	Sigtronics Wire Color	
MIC LO	<b>A</b>	<b>Black</b>	
PTT LO	<b>A</b>	<b>White</b>	
MIC HI	<b>B</b>	<b>Brown</b>	
PTT HI	<b>D</b>	<b>White</b>	

GME			
TX4800U	TX4800UL	TX4800V	
Function	6 Pin	Sigtronics Wire Color	
MIC LO	<b>A</b>	<b>Black</b>	
PTT LO	<b>A</b>	<b>White</b>	
MIC HI	<b>B</b>	<b>Brown</b>	
PTT HI	<b>D</b>	<b>White</b>	

Kenwood			
TK-620 TK-622 TK-630 TK-705 TK-710 TK-715 TK-720	TK-722 TK-730 TK-760 TK-760H TK-762 TK-762H TK-805	TK-810 TK-815 TK-820 TK-822 TK-830 TK-840 TK-860	TK-860H TK-862 TK-862H TK-930 TK-931 TK-940 TK-941
Function	6 Pin	Sigtronics Wire Color	
MIC HI	<b>B</b>	<b>Brown</b>	
MIC LO	<b>C</b>	<b>Black</b>	
PTT HI	<b>D</b>	<b>White</b>	
PTT LO	<b>E</b>	<b>White</b>	

Maxon			
SM-2150	SM-2450	SM-4150	SM-4450
Function	6 Pin	Sigtronics Wire Color	
MIC LO	<b>A</b>	<b>Black</b>	
PTT LO	<b>A</b>	<b>White</b>	
MIC HI	<b>D</b>	<b>Brown</b>	
PTT HI	<b>E</b>	<b>White</b>	

Motorola			
Centro Compact	MC Micro Mostar	M110 Radius	T340 Radius
Function	6 Pin	Sigtronics Wire Color	
PTT HI	<b>C</b>	<b>White</b>	
MIC HI	<b>D</b>	<b>Brown</b>	
MIC LO	<b>E</b>	<b>Black</b>	
PTT LO	<b>F</b>	<b>White</b>	

Raytheon			
ACU-2000IP			
Function	6 Pin	Sigtronics Wire Color	
PTT LO	<b>A</b>	<b>White</b>	
MIC LO	<b>B</b>	<b>Black</b>	
MIC HI	<b>E</b>	<b>Brown</b>	
PTT HI	<b>F</b>	<b>White</b>	

Raytheon / JPS Communications			
ACU-1000			
Function	6 Pin	Sigtronics Wire Color	
PTT LO	<b>A</b>	<b>White</b>	
MIC LO	<b>B</b>	<b>Black</b>	
MIC HI	<b>E</b>	<b>Brown</b>	
PTT HI	<b>F</b>	<b>White</b>	

## Sigtronics Universal Mobile Radio Microphone Interface "Y" Adapter 6 Pin

<b>Relm - Regency</b>			
LMV2548B RML60	RMV60 SLU25	SLV40 SMU Series	SMV Series
Function	6 Pin	Sigtronics Wire Color	
MIC LO	<b>B</b>	<b>Black</b>	
PTT LO	<b>B</b>	<b>White</b>	
PTT HI	<b>C</b>	<b>White</b>	
MIC HI	<b>D</b>	<b>Brown</b>	

<b>Ritron</b>			
RPM-050 Patriot RPM-150 Patriot	RPM-160 Patriot	RPM-450 Patriot	RPM-460 Patriot
Function	6 Pin	Sigtronics Wire Color	
MIC LO	<b>A</b>	<b>Black</b>	
PTT LO	<b>A</b>	<b>White</b>	
MIC HI	<b>B</b>	<b>Brown</b>	
PTT HI	<b>C</b>	<b>White</b>	

<b>Tait</b>			
T700 Series		T2000 Series	
Function	6 Pin	Sigtronics Wire Color	
PTT HI	<b>C</b>	<b>White</b>	
MIC HI	<b>D</b>	<b>Brown</b>	
PTT LO	<b>E</b>	<b>White</b>	
MIC LO	<b>E</b>	<b>Black</b>	

<b>Yaesu</b>			
FT-1500M FT-1802M FT-1900R	FT-2800M FT-2900R FT-7100M	FT-7800R FT-7900R	FT-8800R FT-8900R
Function	6 Pin	Sigtronics Wire Color	
MIC LO	<b>D</b>	<b>Black</b>	
PTT LO	<b>D</b>	<b>White</b>	
MIC HI	<b>E</b>	<b>Brown</b>	
PTT HI	<b>F</b>	<b>White</b>	

*Specifications subject to change without notice.*

**Sigtronics Corporation**  
 178 East Arrow Highway  
 San Dimas, CA 91773  
 Phone: (909) 305-9399  
 E-mail: info@sigtronics.com  
 Web Site: www.sigtronics.com

