

The headset parts may be cleaned with mild soap and water using a soft cloth. Then dry immediately. **Caution: Do Not immerse** any part of the headset in water or any other liquid. Be especially careful not to allow the microphone to become wet! Exposure to moisture may cause internal corrosion and failure and will void your manufacturers warranty.

Cleaning will help the headset maintain its "like new" condition for many years.

WINDSCREEN

The microphone windscreen will reduce annoying wind noise and breath pops picked up by headset microphones. It also protects the microphone element from dirt and moisture. The windscreen should be washed regularly to maintain hygiene and avoid clogging. Wash in warm water and mild soap. Rinse thoroughly and make sure it is completely dry before putting it back on.

To remove the windscreen, take out the screw that holds the microphone on the boom and grasp the windscreen lightly along its entire length and slip it off.

Put the windscreen on the microphone by gently pulling from the open end. Do not pull it so tightly that it stretches against the end of the microphone.

WARRANTY

Your headset is covered by a limited two-year parts and labor warranty. Please see the enclosed warranty card for details.

You may refer to the parts list on the reverse side, if you choose to replace parts yourself. The parts list describes parts for this particular headset only. Parts lists for other models are available on our Web Site or can be obtained by contacting Sigtronics Corporation.



Sigtronics Corporation
178 East Arrow Highway
San Dimas, CA 91773
Phone: 909 305-9399
E-mail: info@sigtronics.com
Web Site: www.sigtronics.com

Model SE-2SRPTT Headset Instructions

The SE-2 series headset is adjusted at the factory for immediate use with all Sigtronics emergency apparatus intercoms and radio adapters in emergency vehicles. The headset is equipped with a single plug and a coiled cord.

The head strap is adjustable so you may custom fit the headset. Place the headset over your head and adjust the strap until minimum pressure is felt on the top of your head. For maximum noise attenuation, the clamping pressure of the headband has been set at the factory. Releasing the clamping pressure by bending the headband is **not advised**, because loss of attenuation will result.

The microphone boom is fully adjustable and will rotate 180 degrees for use on the left or right side of the head. The locking screw that secures the boom to the ear cup is factory set to insure the correct tension. Turning it will not change the tension, because the nut on the inside of the cup will turn as well.

Microphone placement should be at the corner of the mouth, approximately ¼" from the lips. The exclusive thumb screw on the mic boom may be used to assure proper placement.

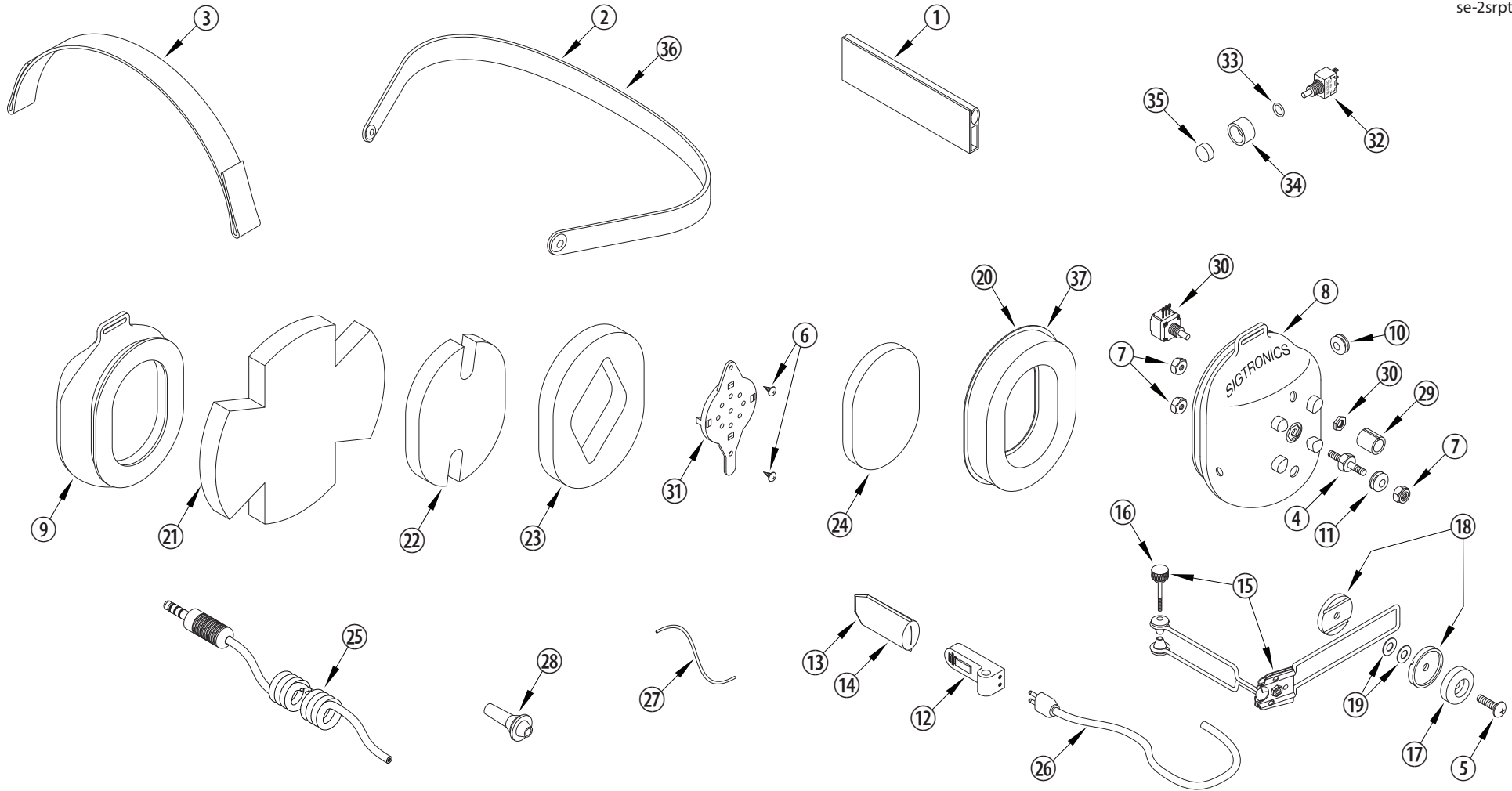
Your SE-2SRPTT headset has a push to transmit switch located on the mic side ear cup. When the headset is connected to a radio, depressing this switch will cause the radio to transmit. The switch is **not used** for intercom function.

When you **first connect the headset**, turn the volume control on the headset up to the full clockwise position, then adjust the listening volume with the audio control of either your radio or intercom as appropriate. If applicable, crew members should also turn their individual headset volumes up fully. Doing this allows for a full range of adjustment for each passenger, since those with the most acute hearing can turn their headset volume down, if necessary.

continued on back...



...when it counts!



SIGTRONICS SE-2SRPTT HEADSET PARTS IDENTIFICATION BREAKDOWN

ITEM	P/N	DESCRIPTION	ITEM	P/N	DESCRIPTION	ITEM	P/N	DESCRIPTION
1	100413	HEADBAND EXTRUSION, 4 IN., SE-2	14	100415	WINDSCREEN, MICROPHONE, FOAM, BULK	27	100935	WIRE, #22, JUMPER, HEADSET, 4 INCH
2	800220	HEADBAND, METAL, BLACK, WITH GROMMETS, SE-2	15	100249	BOOM, ELECTRET MICROPHONE SUPPORT, SWIVEL	28	100569	STRAIN RELIEF, CABLE
3	100411	STRAP, HEADSET, SE-2, BLACK	16	100156	SCREW, THUMB, MICROPHONE BOOM, 2-56 X 1	29	100063	KNOB, 3/8 INCH, BLACK, VOLUME
4	100451	STUD, SE-2, EAR CUP TO BAND MOUNT	17	100368	KNOB, MICROPHONE BOOM ADAPTER, PLASTIC	30	100077	POTENTIOMETER
5	100377	SCREW, 8-32 X 5/8, PHILLIPS HEAD	18	100408	WASHER, GROOVED BOOM	31	100858	RECEIVER AND MOUNT, 300 OHM, MONO
6	100108	SCREW, 4-40 X 1/4, THREAD FORMING	19	100385	WASHER, SPRING, BOOM ADAPTER	32	100232	SWITCH, SPDT, MOMENTARY
7	100252	NUT, HEX, 8-32, LOCKING	20	100369	EAR SEAL, FOAM FILLED	33	100625	O-RING, PTT, HEADSET
8	100964	EAR CUP, PRINTED AND DRILLED, MICROPHONE SIDE	21	100684	FOAM, SOUND ATTENUATING, FOR SLOTTED EAR CUP ONLY	34	100428	SWITCHGUARD, PTT, BLACK
9	100957	EAR CUP, SLOTTED, PRINTED, NON-MIC SIDE	22	100374	FOAM, SOUND ATTENUATING. NOTCHED, 1/2 INCH	35	100317	BUTTON, SWITCH, PTT, RED
10	100049	GROMMET, 5/16 INCH, RUBBER	23	100376	FOAM, SOUND ATTENUATING. RECEIVER HOLE, 1/2 INCH	36	100675	OPTIONAL – HEADBAND, METAL, BLACK, LARGE
11	100567	GROMMET, SE-2 STUD	24	100379	FOAM, SOUND ATTENUATING, RECEIVER COVER, 1/4 INCH	37	100402	OPTIONAL – EAR SEAL, GEL FILLED
12	800082	MICROPHONE, ELECTRET, M-80	25	800046	CABLE, HEADSET, COILED			
13	900084	WINDSCREEN, MICROPHONE, FOAM, PACKAGED	26	800039	CABLE, MICROPHONE BOOM, 12 INCH			