

# Sigtronics Pilot Isolate Option Instructions

## SPA-400 / SPA-600 Panel Mount Intercoms

An intercom feature called "Pilot Isolate" allows the pilot at any time to be switched off the intercom to receive and transmit on the radio. The pilot is then isolated from the co-pilot and passengers' intercom communications. Additionally the co-pilot and passengers will not hear the aircraft radio communications. This feature is sometimes desired when you need to concentrate on the radio communications and the passengers want to continue with their conversation without being interrupted by radio traffic.

There are two ways to get this feature:

1. Buy any of the Sigtronics SCI or SAS Panel Mount Intercom systems:

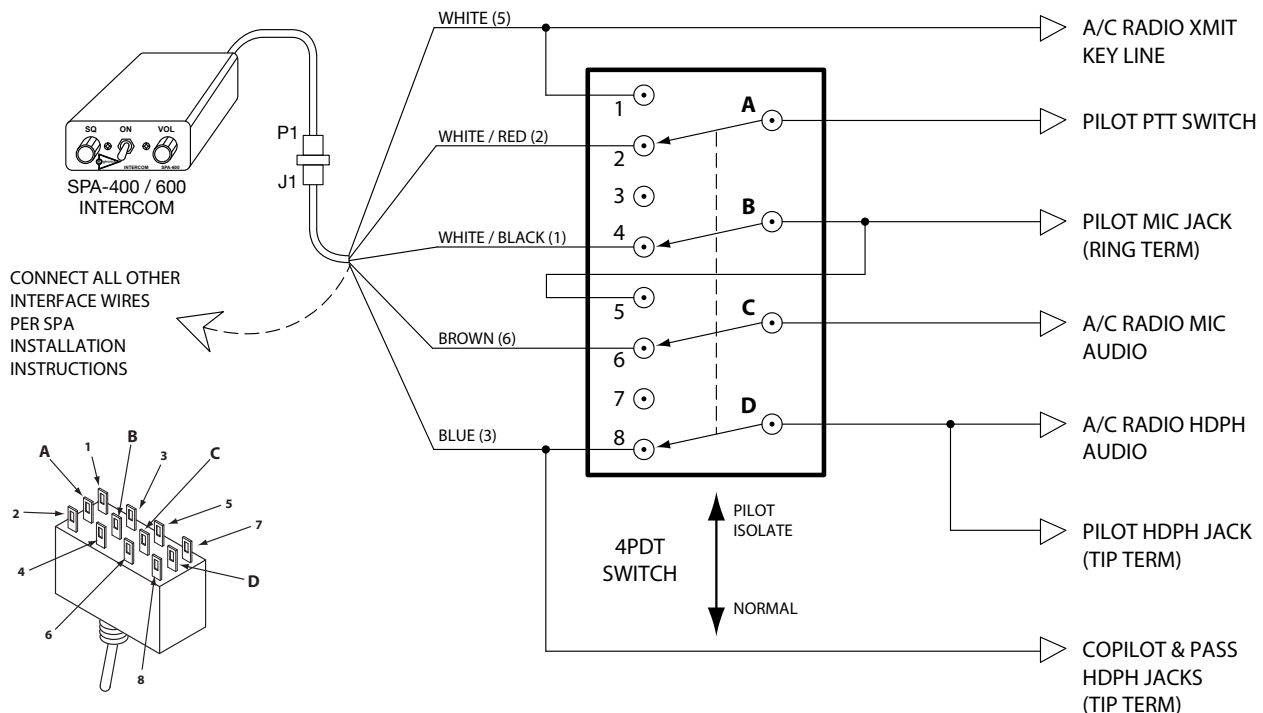
|               |                 |
|---------------|-----------------|
| SCI-4 / SCI-6 | SCI-S4 / SCI-S6 |
| SAS-440       | SAS-640         |
| ST-440        | ST-640          |

Included among the many features these intercoms have is a pilot isolate mode. These unit can also retrofit into a previous SPA-400 / SPA-600 or ST-400 / ST-600 installation.

Or

2. Modify an existing SPA-400 or SPA-600 intercom installation to get this feature. Only a 4PDT switch and some minor modifications to the SPA wiring is required.

See drawing below:



**Notes:** Label the switch "ISO and ALL"

This modification should only be done by a qualified technician.

This modification does not apply to ST-400 / ST-600 installations.



**Specialists in "SOUND" Management**

178 East Arrow Highway, San Dimas, CA 91773 ( 909 ) 305-9399