

SPA-400 / 600 EXTERNAL MIC INTERRUPT MODIFICATION

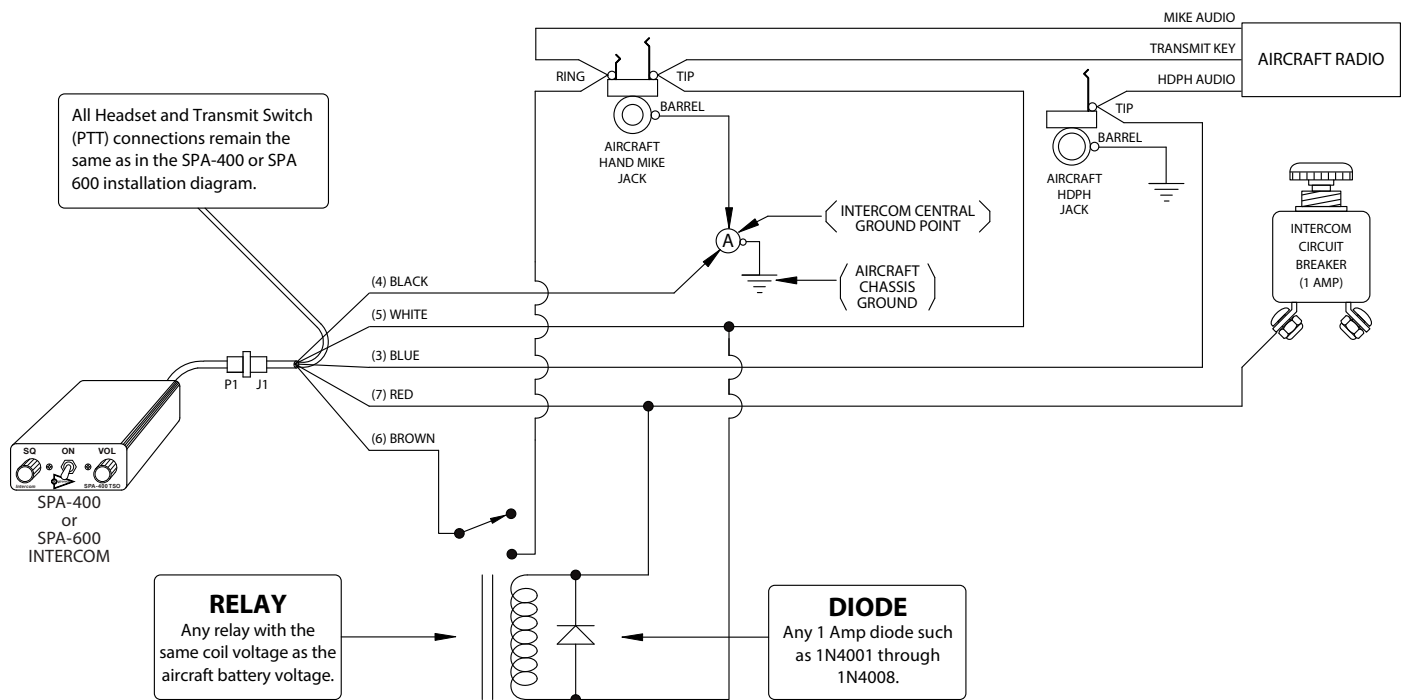
SCOPE: This modification applies to a Sigtronics SPA-400/600 or ST-400/600 installations.

PROBLEM: The intercom stays hot or stays live all the time no matter what position the intercom squelch is set to. Most common with Terra radio equipment, King KY-92 radios, and a few others.

VERIFICATION: Turn off or disconnect the aircraft radio(s) from the intercom. If the intercom squelch now works - the radio(s) are bypassing the intercom and providing a "HOT MIC" type intercom.

SOLUTION: There are two ways to fix this problem.

1. Pull out the SPA-400/600 unit and send into Sigtronics for an internal modification. Request a "MIC INTERRUPT MODIFICATION". There is a modest fee for this.
2. If time does not allow this, a small relay can be added to the installation that will accomplish the same thing. Follow the wiring schematic below.



Specialists in "SOUND" Management
 Sigtronics Corp. 178 East Arrow Highway, San Dimas, CA 91773 (909) 305-9399